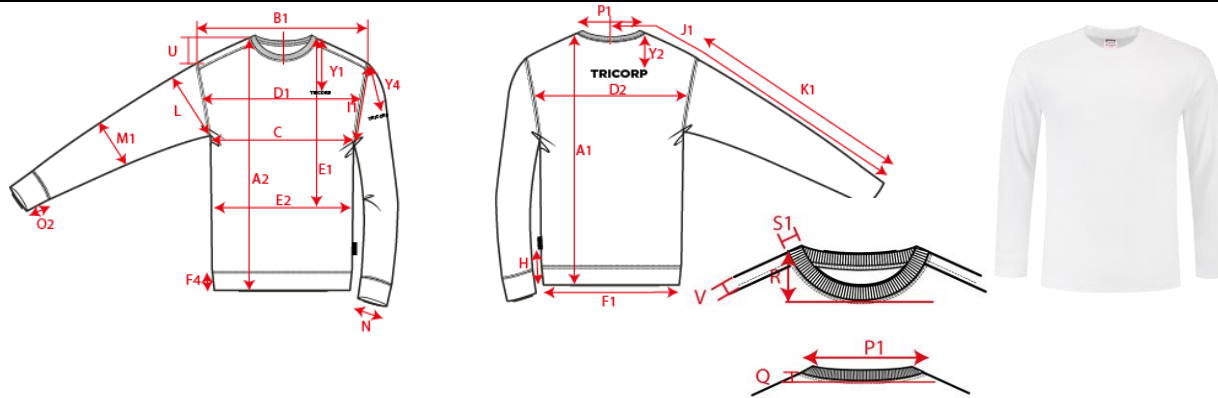


Production Size Specification

TRICORP



STYLE NO	101006
STYLE DESCRIPTION	T-Shirt Lange Mouw
FIT	T-shirts
GENDER	Unisex
DATE	25-1-2021
VERSION	V1

Sketch is for how to measure NOT for style

		XS	S	M	L	XL	XXL	3XL	4XL	5XL	6XL	7XL	8XL	ToI	AQM
		177	179	181	183	185	187	189	191	193	193	193	194		
A1	Total backl meas from hsp	72.00	74.00	76.00	78.00	80.00	82.00	84.00	86.50	87.75	89.00	90.25	93.50	1,0	X
B1	Shoulder to shoulder	39.50	42.00	44.50	47.00	49.50	52.00	54.50	56.50	58.50	60.50	62.50	64.50	1,0	X
C	1/2 chest (at armhole)	44.00	48.00	52.00	56.00	60.00	64.00	68.00	74.00	80.00	86.00	92.00	98.00	1,0	X
K1	Upper arm length long sleeve	63.50	64.50	64.50	65.50	66.25	67.00	67.75	68.50	69.50	69.50	69.50	69.50	0,5	X