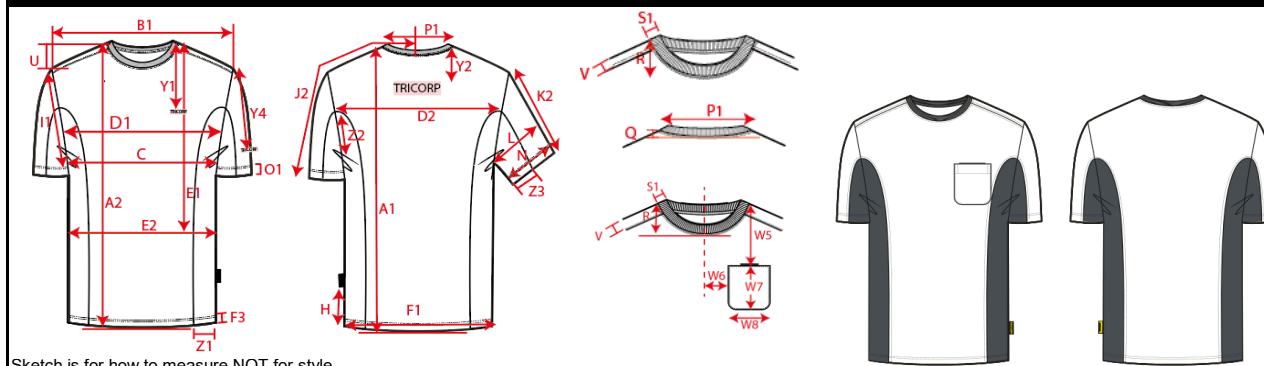


Production Size Specification

TRICORP



|                   |                          |
|-------------------|--------------------------|
| STYLE NO          | 102002                   |
| STYLE DESCRIPTION | T-Shirt Bicolor Borstzak |
| FIT               | T-shirts                 |
| GENDER            | Unisex                   |
| DATE              | 13-01-2021               |
| VERSION           | V1                       |

Sketch is for how to measure NOT for style

|    |                               | XS   | S   | M    | L   | XL   | XXL | 3XL  | 4XL  | 5XL   | 6XL  | 7XL   | 8XL  | Tol | AQM |   |
|----|-------------------------------|------|-----|------|-----|------|-----|------|------|-------|------|-------|------|-----|-----|---|
|    |                               | 177  | 179 | 181  | 183 | 185  | 187 | 189  | 191  | 193   | 193  | 193   | 194  |     |     |   |
| A1 | Total backl meas from hsp     | 70   | 72  | 74   | 76  | 78   | 80  | 82   | 84,5 | 85,75 | 87   | 88,25 | 91,5 | 1,0 |     | X |
| B1 | Shoulder to shoulder          | 39,5 | 42  | 44,5 | 47  | 49,5 | 52  | 54,5 | 56,5 | 58,5  | 60,5 | 62,5  | 64,5 | 1,0 |     | X |
| C  | 1/2 chest (2cm below armhole) | 44   | 48  | 52   | 56  | 60   | 64  | 68   | 74   | 80    | 86   | 92    | 98   | 1,0 |     | X |
| K2 | Upper arm length short sleeve | 22,5 | 23  | 23,5 | 24  | 24,5 | 25  | 25,5 | 26   | 26,5  | 27   | 27,5  | 28   | 0,5 |     | X |