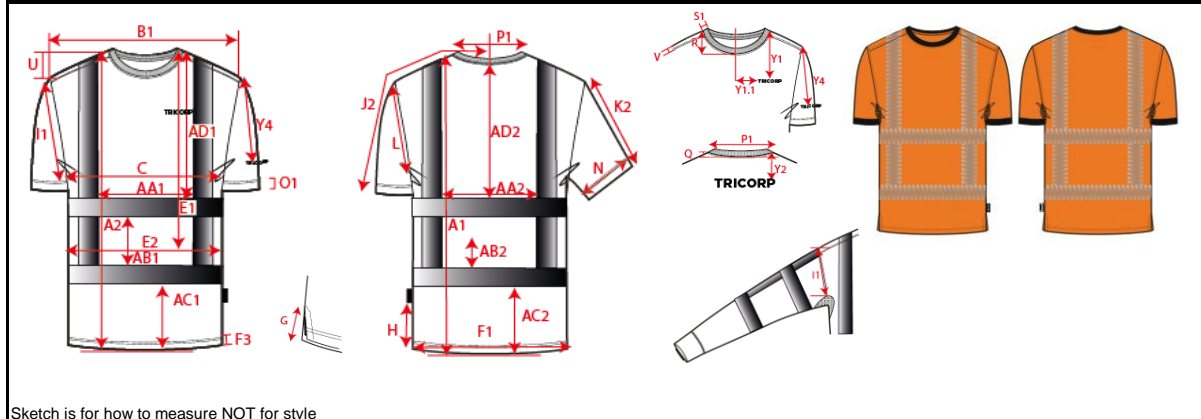


Production Size Specification

TRICORP



Sketch is for how to measure NOT for style

		XS	S	M	L	XL	XXL	3XL	4XL	5XL	6XL	7XL	8XL	Tol	AQM
A1	Total backl meas from hsp	177	179	181	183	185	187	189	191	193	193	193	194	1.0	X
B1	Shoulder to shoulder	39.5	42	44.5	47	49.5	52	54.5	56.5	58.5	60.5	62.5	64.5	1.0	X
C	1/2 chest (at armhole)	44	48	52	56	60	64	68	74	80	86	92	98	1.0	X
K2	Upper arm length short sleeve	22.5	23	23.5	24	24.5	25	25.5	26	26.5	27	27.5	28	0.5	X
AA1	Distance between vertical striping front	19	21	23	25	27	29	31	32.5	34	35.5	37	38.5	0.5	X
AA2	Distance between vertical striping back	21.5	23.5	25.5	27.5	29.5	31.5	33.5	35	36.5	38	39.5	41	0.5	X
AB1	Distance between horizontal striping front	14.5	15	16.25	17.5	18.5	19.5	20.5	21.8	21.3	20.8	20.3	21.8	0.5	X
AB2	Distance between horizontal striping back	14.5	15	16.25	17.5	18.5	19.5	20.5	21.8	21.3	20.8	20.3	21.8	0.5	X
AD1	Position measured from HSP Front	33.5	35.0	35.8	36.5	37.5	38.5	39.5	40.8	42.5	44.3	46.0	47.8	0.5	X
AD2	Position measured from CB neck	31.5	33.0	33.8	34.5	35.5	36.5	37.5	38.3	40.0	41.8	43.0	44.8	0.5	X

STYLE NO	103701
STYLE DESCRIPTION	T-shirt RWS Re-visible
FIT	T-shirts
GENDER	Unisex
DATE	19-6-2023
VERSION	V4