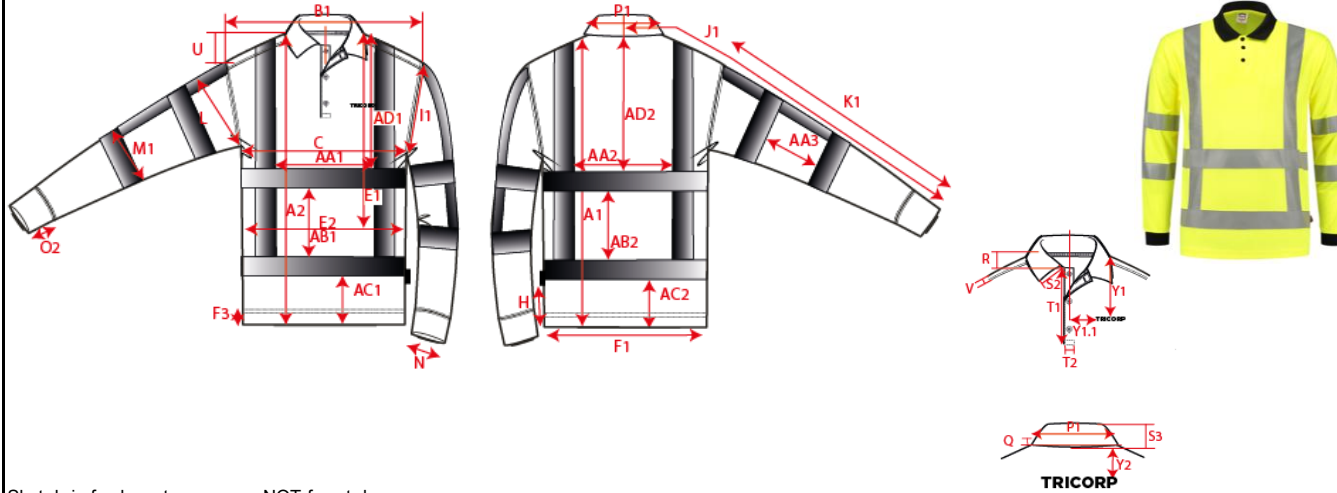


Production Size Specification

TRICORP



STYLE NO	203005
STYLE DESCRIPTION	Poloshirt RWS Birdseye Lange mouw
FIT	Polo
GENDER	Unisex
DATE	12-2-2026
VERSION	V2

Sketch is for how to measure NOT for style

		XS	S	M	L	XL	XXL	3XL	4XL	5XL	6XL	7XL	8XL	Tol				
A1	Total backl meas from hsp	75	76	77	78	80	82	84	86,5	87,75	89	90,25	93,5	1,0				
B1	Shoulder to shoulder	43,25	44,5	45,75	47	49,5	52	54,5	56,5	58,5	60,5	62,5	64,5	1,0				
C	1/2 chest (at armhole)	51	53	55	57	61	65	69	75	81	87	93	99	1,0				
K1	Upper arm length long sleeve	68	68,5	68,5	69	70	71	71	72	73	73	73	73	0,5				
AA1	Distance between vertical striping front	23	24	25	26	28	30	32	33,5	35	36,5	38	39,5	0,3				
AA2	Distance between vertical striping back	24,75	25,75	26,75	27,75	29,75	31,75	33,75	35,25	36,75	38,25	39,75	41,25	0,3				
AB1	Distance between horizontal striping front	18,9	19,4	20	20,7	21,7	22,7	23,7	24,9	24,4	23,9	23,4	24,9	0,3				
AB2	Distance between horizontal striping back	18,9	19,4	20	20,7	21,7	22,7	23,7	24,9	24,4	23,9	23,4	24,9	0,3				
AD1	Position measured from HSP Front	32,18	32,68	33,03	33,35	34,35	35,35	36,35	37,6	39,35	41,1	42,85	44,6	0,3				
AD2	Position measured from CB neck	30,1	30,6	30,95	31,3	32,3	33,3	34,3	35,05	36,8	38,55	39,8	41,55	0,3				