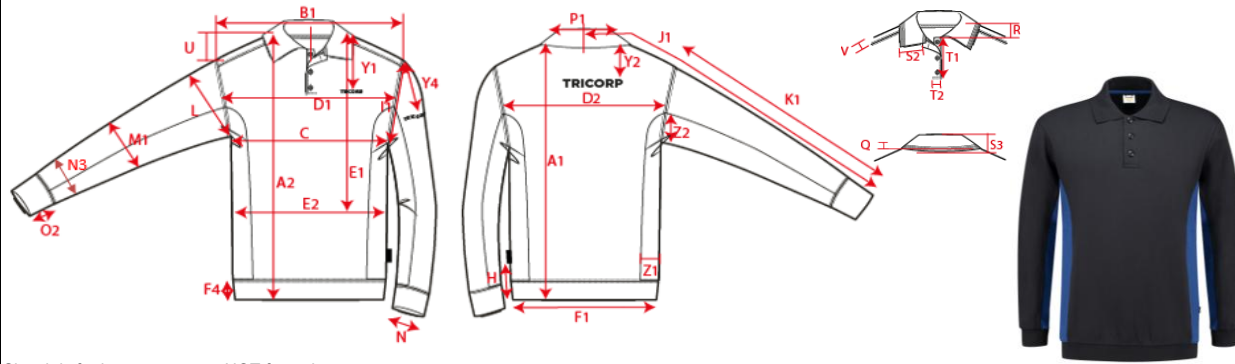


Production Size Specification

TRICORP



Sketch is for how to measure NOT for style

STYLE NO	302003
STYLE DESCRIPTION	Polosweater Bicolor
FIT	Sweaters
GENDER	Unisex
DATE	13-4-2023
VERSION	V2

		XS	S	M	L	XL	XXL	3XL	4XL	5XL	6XL	7XL	8XL	Totl			AQM
A1	Total backl meas from hsp	71	73	75	77	79	81	83	85,5	86,75	88	89,25	92,5	1,0			X
B1	Shoulder to shoulder	41,5	44	46,5	49	51,5	54	56,5	58,5	60,5	62,5	64,5	66,5	1,0			X
C	1/2 chest (at armhole)	48	52	56	60	64	68	72	78	84	90	96	102	1,0			X
K1	Upper arm length long sleeve	68,5	69,5	69,5	70,5	71,5	72,5	72,5	73,5	74,5	74,5	74,5	74,5	0,5			X