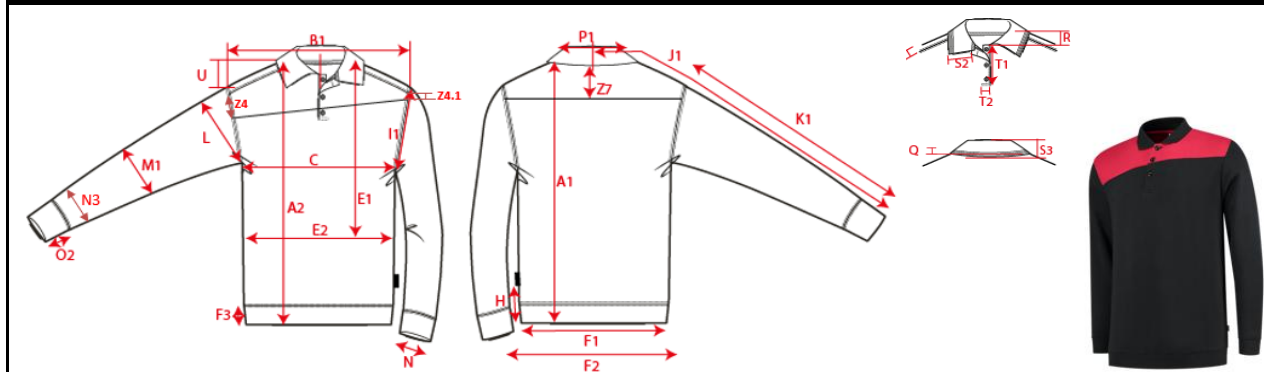


Production Size Specification

TRICORP



| | |
|-------------------|---------------------------|
| STYLE NO | 302004 |
| STYLE DESCRIPTION | Polosweater Bicolor Naden |
| FIT | Sweaters |
| GENDER | Unisex |
| DATE | 13-4-2023 |
| VERSION | V2 |

Sketch is for how to measure NOT for style

| | | XS | S | M | L | XL | XXL | 3XL | 4XL | 5XL | 6XL | 7XL | 8XL | ToI | | | | AQM |
|----|------------------------------|------|------|------|------|------|------|------|------|-------|------|-------|------|-----|--|--|--|-----|
| A1 | Total backl meas from hsp | 71 | 73 | 75 | 77 | 79 | 81 | 83 | 85,5 | 86,75 | 88 | 89,25 | 92,5 | 1,0 | | | | X |
| B1 | Shoulder to shoulder | 41,5 | 44 | 46,5 | 49 | 51,5 | 54 | 56,5 | 58,5 | 60,5 | 62,5 | 64,5 | 66,5 | 1,0 | | | | X |
| C | 1/2 chest (at armhole) | 48 | 52 | 56 | 60 | 64 | 68 | 72 | 78 | 84 | 90 | 96 | 102 | 1,0 | | | | X |
| K1 | Upper arm length long sleeve | 68,5 | 69,5 | 69,5 | 70,5 | 71,5 | 72,5 | 72,5 | 73,5 | 74,5 | 74,5 | 74,5 | 74,5 | 0,5 | | | | X |