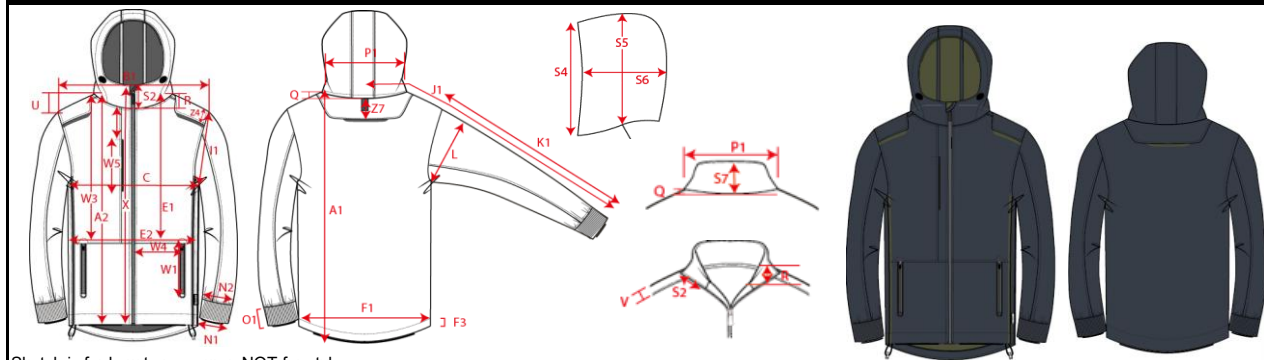


Production Size Specification

TRICORP



STYLE NO	402705
STYLE DESCRIPTION	Softshell Capuchon Accent
FIT	Jassen
GENDER	Unisex
DATE	1-5-2023
VERSION	V3

Sketch is for how to measure NOT for style

		XS	S	M	L	XL	XXL	3XL	4XL	5XL	6XL	7XL	8XL							
		177	179	181	183	185	187	189	191	193	193	193	194							AQM
A1	Total backl meas from hsp	69	71	73	75	77	79	81	83,5	84,75	86	87,25	90,5	1,0						X
B1	Shoulder to shoulder	40,5	43	45,5	48	50,5	53	55,5	57,5	59,5	61,5	63,5	65,5	1,0						X
C	1/2 chest (at armhole)	48	52	56	60	64	68	72	78	84	90	96	102	1,0						X
K1	Upper arm length long sleeve	69	70	70	71	72	73	73	74	75	75	75	75	1,0						X