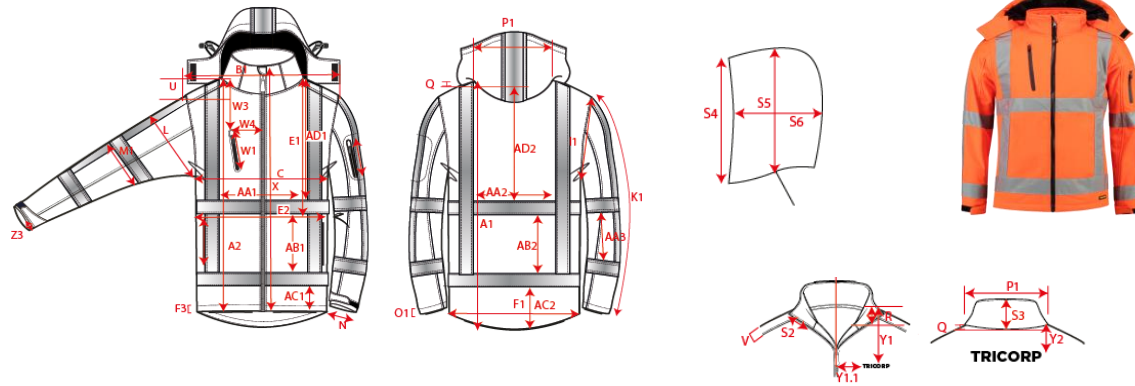


Production Size Specification

TRICORP



| | |
|-------------------|---------------|
| STYLE NO | 403003 |
| STYLE DESCRIPTION | Softshell RWS |
| FIT | Jacket |
| GENDER | Unisex |
| DATE | 7-4-2020 |
| VERSION | V1 |

Sketch is for how to measure NOT for style

| | | XS | S | M | L | XL | XXL | 3XL | 4XL | 5XL | 6XL | 7XL | 8XL | | | | | |
|-----|--|-------|-------|-------|-------|-------|-------|-------|-------|-------|-------|-------|-------|--|-----|--|--|--|
| | | 177 | 179 | 181 | 183 | 185 | 187 | 189 | 191 | 193 | 193 | 193 | 194 | | | | | |
| A1 | Total back meas from hsp | 69 | 71 | 73 | 75 | 77 | 79 | 81 | 83.5 | 84.75 | 86 | 87.25 | 90.5 | | 1,0 | | | |
| B1 | Shoulder to shoulder | 42.5 | 45 | 47.5 | 50 | 52.5 | 55 | 57.5 | 59.5 | 61.5 | 63.5 | 65.5 | 67.5 | | 1,0 | | | |
| C | 1/2 chest (at armhole) | 48 | 52 | 56 | 60 | 64 | 68 | 72 | 78 | 84 | 90 | 96 | 102 | | 1,0 | | | |
| K1 | Upper arm length long sleeve | 66 | 67 | 67 | 68 | 68.75 | 69.5 | 70.25 | 71 | 72 | 72 | 72 | 72 | | 0,5 | | | |
| AA1 | Distance between vertical striping front | 24.9 | 26.6 | 28.3 | 30 | 31.7 | 33.4 | 35.1 | 37.3 | 39.5 | 41.7 | 43.9 | 46.1 | | | | | |
| AA2 | Distance between vertical striping back | 26.4 | 28.1 | 29.8 | 31.5 | 33.2 | 34.9 | 36.6 | 38.8 | 41 | 43.2 | 45.4 | 47.6 | | 0,3 | | | |
| AA3 | Distance between vertical striping sleeve | 20.5 | 21 | 21 | 21 | 21 | 21 | 21 | 21.5 | 21.5 | 21.5 | 21.5 | 21.5 | | 0,3 | | | |
| AB1 | Distance between horizontal striping front | 17.75 | 19 | 20.5 | 22 | 23 | 24 | 25 | 26 | 26 | 26 | 26 | 28 | | 0,3 | | | |
| AB2 | Distance between horizontal striping back | 17.75 | 19 | 20.5 | 22 | 23 | 24 | 25 | 26 | 26 | 26 | 26 | 28 | | 0,3 | | | |
| AD1 | Position measured from HSP Front | 31.75 | 32.50 | 33.00 | 33.50 | 34.50 | 35.50 | 36.50 | 38.00 | 39.25 | 40.50 | 41.75 | 43.00 | | 0,3 | | | |
| AD2 | Position measured from CB neck (Shorten by 12 cm when hood hangs down) | 29.75 | 30.50 | 31.00 | 31.50 | 32.50 | 33.50 | 34.50 | 35.50 | 36.75 | 38.00 | 38.75 | 40.00 | | 0,3 | | | |