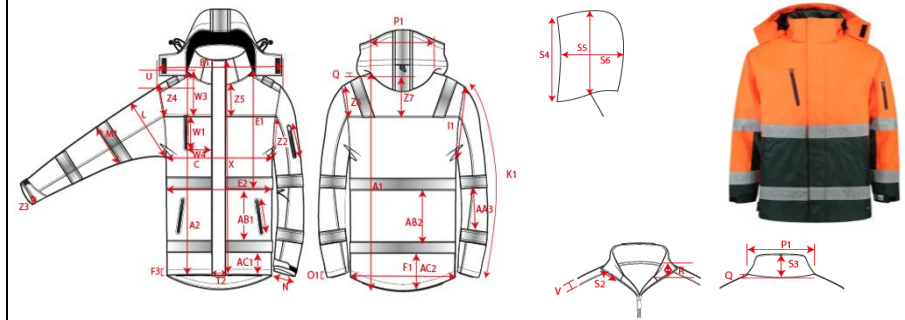


Production Size Specification

TRICORP



STYLE NO	403004
STYLE DESCRIPTION	Parka ISO20471 Bicolor
FIT	Jacket
GENDER	Unisex
DATE	22-11-2023
VERSION	V2

Sketch is for how to measure NOT for style

	XS	S	M	L	XL	XXL	3XL	4XL	5XL	6XL	7XL	8XL	Tot				AQM
	177	179	181	183	185	187	189	191	193	193	193	194					
A1 Total back meas from hsp	80.0	82.0	84.0	86.0	88.0	90.0	92.0	94.5	95.8	97.0	98.3	101.5	1.0				X
B1 Shoulder to shoulder	47.5	50.0	52.5	55.0	57.5	60.0	62.5	64.5	66.5	68.5	70.5	72.5	1.0				
C 1/2 chest (at armhole)	51.0	55.0	59.0	63.0	67.0	71.0	75.0	81.0	87.0	93.0	99.0	105.0	1.0				X
F1 1/2 Bottom	49.0	53.0	57.0	61.0	65.0	69.0	73.0	79.0	85.0	91.0	97.0	103.0	1.0				X
K1 Upper arm length long sleeve	65.0	66.0	66.0	67.0	68.0	69.0	69.0	70.0	71.0	71.0	71.0	71.0	0.5				X
AA3 Distance between horizontal striping sleeve	17.5	18.0	18.0	18.0	18.0	18.0	18.0	18.5	18.5	18.5	18.5	18.5	0.3				X
AB1 Distance between horizontal striping front	19.5	20.0	21.0	22.0	22.5	23.5	24.0	25.0	25.5	26.0	26.0	26.0	0.3				
AB2 Distance between horizontal striping back	19.5	20.0	21.0	22.0	22.5	23.5	24.0	25.0	25.5	26.0	26.0	26.0	0.3				X
AC1 Striping position from hem front	10.0	10.0	10.0	10.0	10.0	10.0	10.0	10.0	11.8	13.5	15.3	16.5	0.3				
AC2 Striping position from hem back	13.0	13.0	13.0	13.0	13.0	13.0	13.0	13.0	13.0	13.0	13.0	13.0	0.3				X