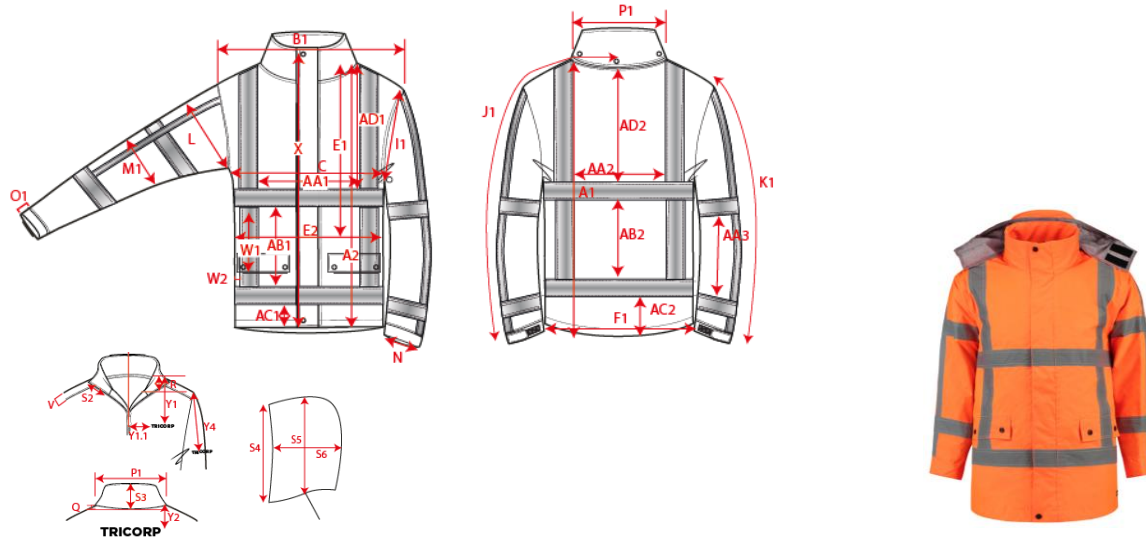


Production Size Specification

TRICORP

Sketch is for how to measure NOT for style



Stylenumber:	403005(TPG3001)
Styledescription:	Parka RWS
Productgroup:	Jackets
Label:	Safety
Sexe:	Unisex
Fabric Description:	Oxford, PU laag
Compositon:	100% Polyester
Weight:	200 g/m ²
Color:	Orange, Yellow

Spec from batch nr:	
Date:	20-apr-19

		XS	S	M	L	XL	XXL	3XL	4XL	5XL	Tol					
	Tricorp total body length															
A1	Total backl meas from hsp	82	84	86	88	90	92	94	96	96	1,0					
B1	Shoulder to shoulder	47,5	50	52,5	55	57,5	60	62,5	66	69,5	1,0					
C	1/2 chest (at armhole)	51	55	59	63	67	71	75	81	87	1,0					
K1	Upper arm length long sleeve	65	66	66	67	68	69	69	70	70	0,5					
AA1	Distance between vertical striping front	25,5	27,5	29,5	31,5	33,5	35,5	37,5	40	42,5	0,5					
AA2	Distance between vertical striping back	28,5	30,5	32,5	34,5	36,5	38,5	40,5	43	45,5	0,5					
AA3	Distance between vertical striping sleeve	23,5	24	23,5	24	24,5	25	24,5	25	24,5	0,5					
AB1	Distance between horizontal striping front	21	22	23	24	24	26	27	28	29	0,5					
AB2	Distance between horizontal striping back	21	22	23	24	25	26	27	28	29	0,5					
AD1	Position measured from HSP Front	34,7	35,5	36,3	37	37,8	38,5	39,3	40	40,8	0,3					
AD2	Position measured from CB neck (Shorten by 12 cm when hood hangs down)	32,7	33,5	34,3	35	35,8	36,5	37,3	38	38,8	0,3					