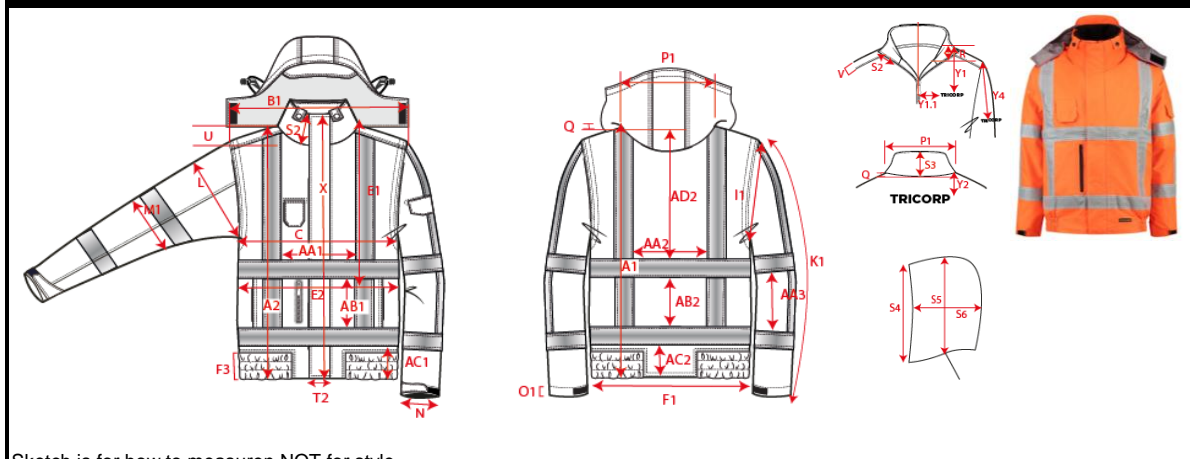


**Production Size Specification**



Sketch is for how to measure NOT for style

<b>STYLE NO</b>	403006
<b>STYLE DESCRIPTION</b>	Pilotjack RWS
<b>FIT</b>	Jacket
<b>GENDER</b>	Unisex
<b>DATE</b>	18-12-2023
<b>VERSION</b>	V1

		XS	S	M	L	XL	XXL	3XL	4XL	5XL	Tol				AQM	
	Tricorp total body length															
A1	Total backl meas from hsp	71.5	73.5	75.5	77.5	79.5	81.5	83.5	85.5	85.5	1.0					
A2	Total frontlength meas from hsp	70	72	74	76	78	80	82	84	84	1.0					
B1	Shoulder to shoulder	46.5	49	51.5	54	56.5	59	61.5	65	68.5	1.0					
C	1/2 chest (at armhole)	58	62	66	70	74	78	82	88	94	1.0					
K1	Upper arm length long sleeve	65	66	66	67	68	69	70	70	70	0.5					
AA1	Distance between vertical striping front	27	29	31	33	35	37	39	41	43	0.3					
AA2	Distance between vertical striping back	28.5	30.5	32.5	34.5	36.5	38.5	40.5	42.5	44.5	0.5					
AA3	Distance between vertical striping sleeve	19	19.5	19.5	20	20.5	21	21.5	21	21.5	0.5					
AB1	Distance between horizontal striping front	16.5	17.5	18.5	19.5	20.5	21.5	22.5	23.5	23.5	0.5					
AB2	Distance between horizontal striping back	16.5	17.5	18.5	19.5	20.5	21.5	22.5	23.5	23.5	0.5					
AC1	Position from hem front	9.5	9.5	10	10.5	10.5	10.5	11	11	11	0.3					
AC2	Position from hem back	10	10	10.5	11	11	11	11.5	11.5	11.5	0.3					
AD1	Position measured from HSP Front	33.8	34.5	35.3	36	36.8	37.5	38.3	39	39	0.3					
AD2	Position measured from CB neck (Shorten by 12 cm when hood hangs down)	33.4	34.4	35.2	35.9	36.7	37.4	38.2	38.7	38.7	0.3					