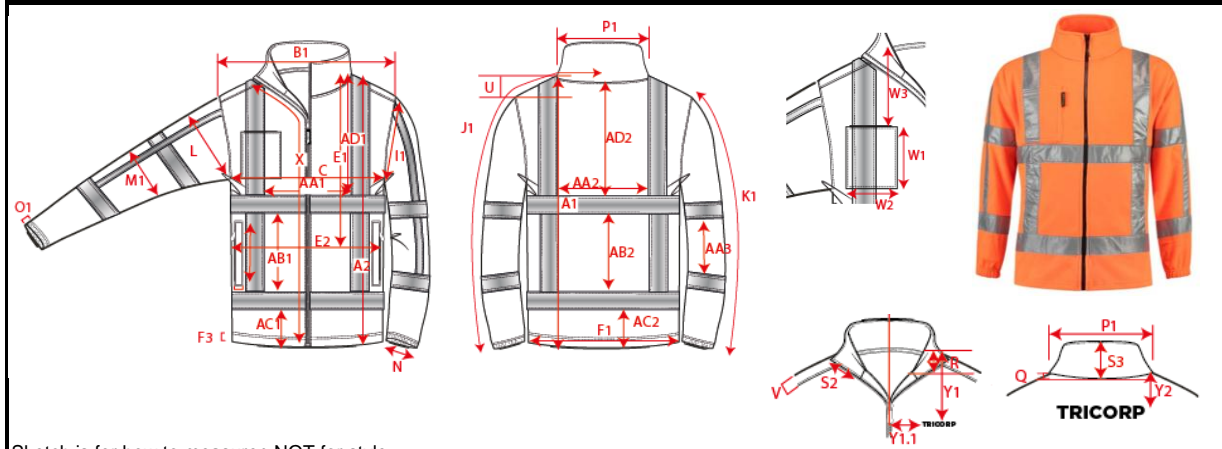


Production Size Specification

TRICORP



STYLE NO	403008
STYLE DESCRIPTION	Fleecejack RWS
FIT	Jacket
GENDER	Unisex
DATE	18-7-2022
VERSION	V1

Sketch is for how to measure NOT for style

	XS	S	M	L	XL	XXL	3XL	4XL	5XL	6XL	7XL	8XL	ToI	AQM
	177	179	181	183	185	187	189	191	193	193	193	194		
A1 Total backl meas from hsp	68	70	72	74	76	78	80	82.5	83.8	85	86.3	89.5	1,0	X
B1 Shoulder to shoulder	44.5	47	49.5	52	54.5	57	59.5	61.5	63.5	65.5	67.5	69.5	1,0	X
C 1/2 chest (at armhole)	48	52	56	60	64	68	72	78	84	90	96	102	1,0	X
K1 Upper arm length long sleeve	66	67	67	68	69	70	70	71	72	72	72	72	0,5	X
AA1 Distance between vertical striping front	23.5	25	26.5	28	29.5	31	33	35	37	39	41	42	0,3	X
AA2 Distance between vertical striping back	26.5	28	29.5	31	32.5	34	36	38	40	42	44	45	0,3	
AA3 Distance between horizontal striping sleeve	21.5	22	22	22	22	22	22	22.5	22.5	22.5	22.5	22.5	0,3	
AB1 Distance between horizontal striping front	18	19	20	20.5	20.5	20.5	20.5	21	21	21	21	21	0,3	
AB2 Distance between horizontal striping back	18	19	20	20.5	20.5	20.5	20.5	21	21	21	21	21	0,3	X
AD1 Position measured from HSP Front	30	31	32	33.5	35.5	37.5	39.5	41.5	42.8	44	45.3	48.5	0,3	
AD2 Position measured from CB neck	28	29	30	31.5	33.5	35.5	37.5	39	40.3	41.5	42.3	45.5	0,3	