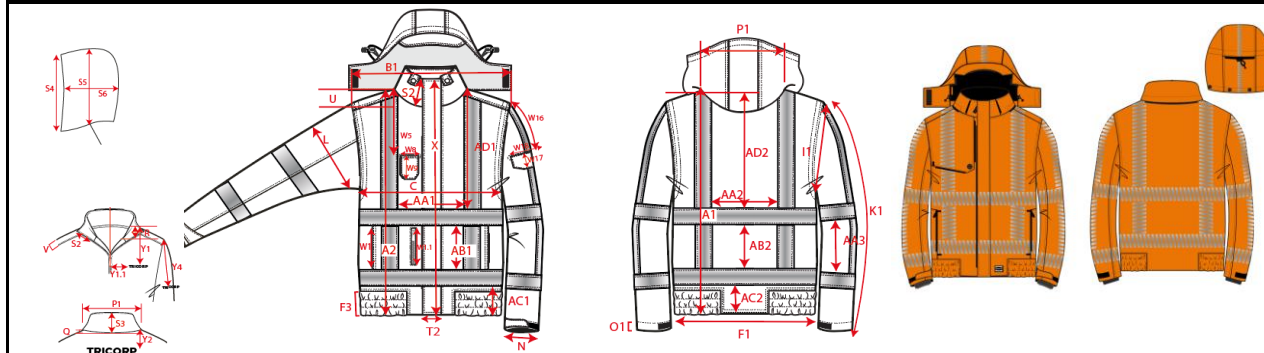


Production Size Specification

TRICORP



STYLE NO	403704
STYLE DESCRIPTION	Pilotjack RWS Revisible
FIT	Jacket
GENDER	Unisex
DATE	14-1-2025
VERSION	V3

sketch is not for style only FOR HOW TO MEASURE

		XS	S	M	L	XL	XXL	3XL	4XL	5XL	6XL	7XL	8XL	Tol				AQM
A1	Total backl meas from hsp	69	71	73	75	77	79	81	83.5	84.75	86	87.25	90.5	1.0				x
A2	Total frontlength meas from hsp	69	71	75	77	79	81	83	85.5	88.5	91.5	94.5	99	1.0				x
B1	Shoulder to shoulder	44.5	47	49.5	52	54.5	57	59.5	61.5	63.5	65.5	67.5	69.5	1.0				x
C	1/2 chest (at armhole)	51	55	59	63	67	71	75	81	87	93	99	105	1.0				x
K1	Upper arm length long sleeve	66	67	67	68	69	70	70	71	72	72	72	72	1.0				x
AA1	Distance between vertical striping front	22.5	24.5	26.5	28.5	30.5	32.5	34.5	37.5	40.5	43.5	46.5	49.5	0.3				X
AA2	Distance between vertical striping back	25.5	27.5	29.5	31.5	33.5	35.5	37.5	40.5	43.5	46.5	49.5	52.5	0.3				
AA3	Distance between vertical striping sleeve	24.5	24.5	24.5	24.5	24.5	24.5	24.5	24.5	24.5	24.5	24.5	24.5	0.3				X
AB1	Distance between horizontal striping front	14	15	16	17	18	19	20	21	21	21	21	21	0.3				
AB2	Distance between horizontal striping back	14	15	16	17	18	19	20	21	21	21	21	21	0.3				X
AC1	Position from hem center front	9.5	9.5	10.5	10.5	10.5	10.5	10.5	10.5	12.25	14	15.75	19	0.3				
AC2	Position from hem center back	9.5	9.5	9.5	9.5	9.5	9.5	9.5	9.5	9.5	9.5	9.5	11.5	0.3				
AD1	Position measured from HSP Front	35.5	36.5	38.5	39.5	40.5	41.5	42.5	44	45.25	46.5	47.75	49	0.3				
AD2	Position measured from CB neck	33.5	34.5	35.5	36.5	37.5	38.5	39.5	40.5	41.75	43	43.75	45	0.3				X