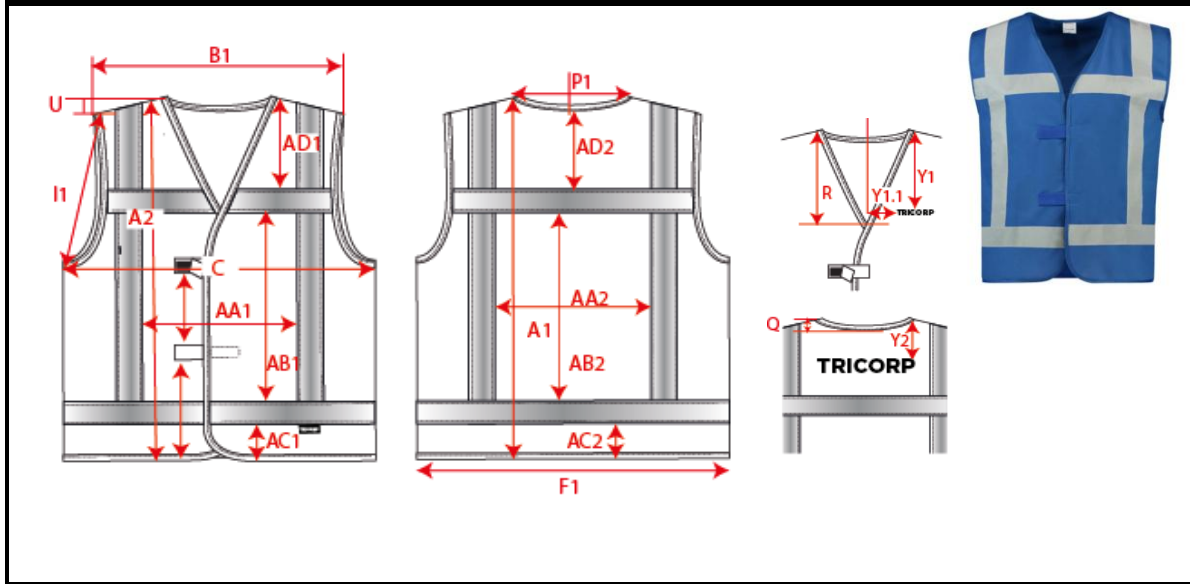


Production Size Specification

TRICORP



STYLE NO	453014
STYLE DESCRIPTION	Vest reflectie
FIT	Vest
GENDER	Unisex
DATE	12-10-2022
VERSION	V4

		XS-S	M-L	XL-XXL	3XL-4XL	5XL-6XL	7XL-8XL	Tol				
		179	183	187	191	193	194					
A1	Total backl meas from hsp	68	72	76	80	80	82	1,0				
B1	Shoulder to shoulder	41	46	51	57	60.5	64	1,0				
C	1/2 chest (at armhole)	50	58	66	76	82	88	1,0				
AA1	Distance between vertical striping front	22	25	27	29	31	33	0.5				
AA2	Distance between vertical striping back	24.5	27	29	31	33	35	0.5				
AB1	Distance between horizontal striping front	26.5	30	33.5	37	37	37	0.5				
AB2	Distance between horizontal striping back	26.5	30	33.5	37	37	37	0.5				
AD1	Position measured from HSP Front	21.5	22	22.5	23	23	22.5	0.5				
AD2	Position measured from CB neck	19.5	20	20.5	21	21	21	0.5				