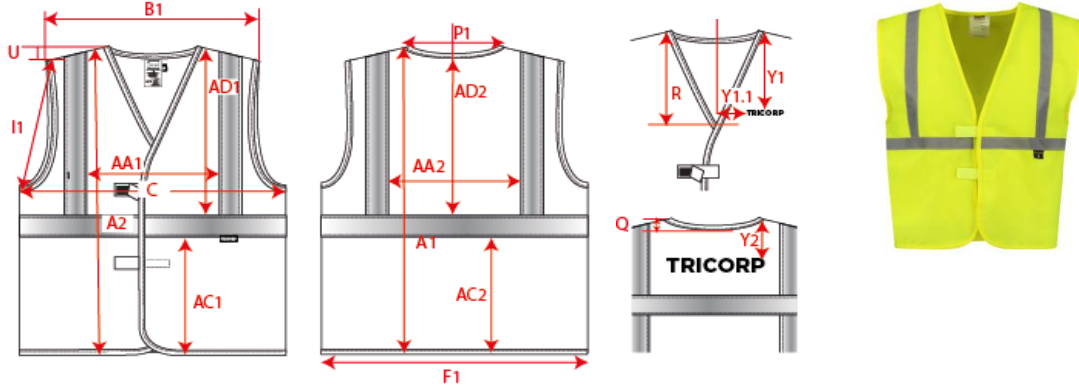


Production Size Specification

TRICORP



STYLE NO	453020
STYLE DESCRIPTION	Veiligheidsvest Kids
FIT	Vest
GENDER	Kids
DATE	12-10-2022
VERSION	V1

		116	128	140	152	164	Tol				
A1	Total backl meas from hsp	42	45	48	51	54	1,0				
B1	Shoulder to shoulder	30	33	36	39	42	1,0				
C	1/2 chest (at armhole)	38	41	44	47	50	1,0				
AA1	Distance chest still vertical striping front	15.5	15.8	16.1	16.4	16.7	0.5				
AA2	Distance between vertical striping back	16	17	18	19.25	20.5	0.5				
AD1	Position measured from HSP Front	23.5	25	26.5	28	29.5	0.5				
AD2	Position measured from CB neck	22.5	24	25.5	27	28.5	0.5				