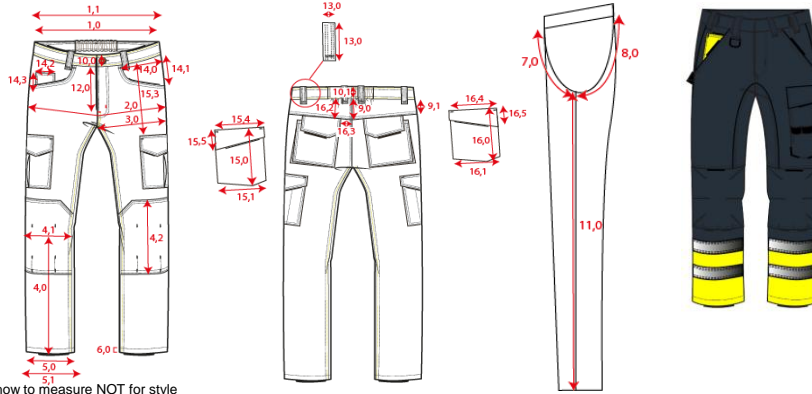


Production Size Specification

TRICORP



Sketch is for how to measure NOT for style

STYLE NO	503012
STYLE DESCRIPTION	Werkbroek High Vis
FIT	Pants
GENDER	Unisex
DATE	31-8-2020
VERSION	V5

		42	44	46	48	50	52	54	56	58	60	62	64	66	Tol			AQM
1,0	1/2 Waist	35	37.5	40	42.5	45	47.5	50	52.5	55	57.5	61.5	65.5	69.5	1,0			X
2,0	1/2 Hip (under zip)	45	47.5	50	52.5	55	57.5	60	62.5	65	67.5	71.5	75.5	79.5	1,0			X
11,0	New Inseam normal (42-44-46-48-50-52-54-56-58-60-62-64-66)	83	83	83	83	83	83	83	83	83	83	83	83	83	0.5			X
11,0	New Inseam short (21-22-23-24-25-26-27)	78	78	78	78	78	78	78	78	78	78	78	78	78	0.5			X
11,0	New Inseam long (43-45-47-49-51-53-55)	88	88	88	88	88	88	88	88	88	88	88	88	88	0.5			X
	distance striping from bottom up inseam Regular/Long	10	10	10	10	10	10	10	10	10	10	10	10	10	0.3			
	distance striping from bottom up inseam Short	8	8	8	8	8	8	8	8	8	8	8	8	8				
	distance striping from bottom up	10	10	10	10	10	10	10	10	10	10	10	10	10	0.3			
	distance between striping	5	5	5	5	5	5	5	5	5	5	5	5	5	0.3			