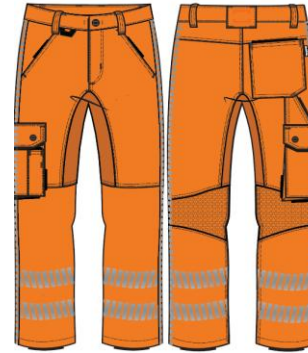
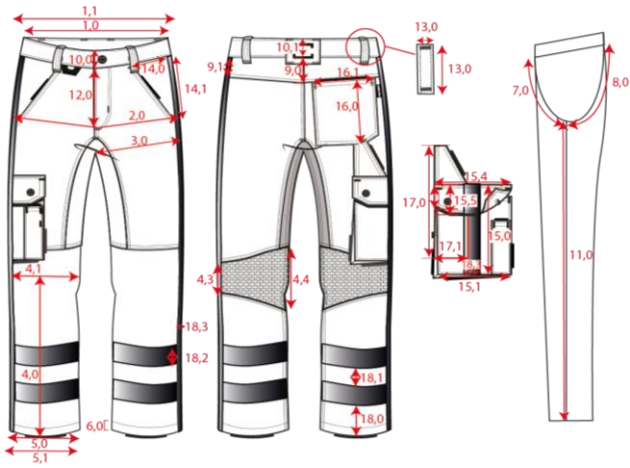


Production Size Specification

TRICORP



STYLE NO	503701
STYLE DESCRIPTION	Werkbroek Twill Stretch RWS Re-visible
FIT	Pants
GENDER	Unisex
DATE	16-5-2023
VERSION	V2

Sketch is for how to measure NOT for style

		42	44	46	48	50	52	54	56	58	60	62	64	66	Tot	AQM	
1,0	1/2 Waist relaxed	37	39	41	43	45	47.5	50	52.5	55	57.5	61.5	65.5	69.5	1,0		X
2,0	1/2 Hip (under zip)	49	51	53	55	57	59.5	62	64.5	67	69.5	72.5	75.5	78.5	1,0		X
11,0	Inseam	83	83	83	83	83	83	83	83	83	83	83	83	83	0,5		X